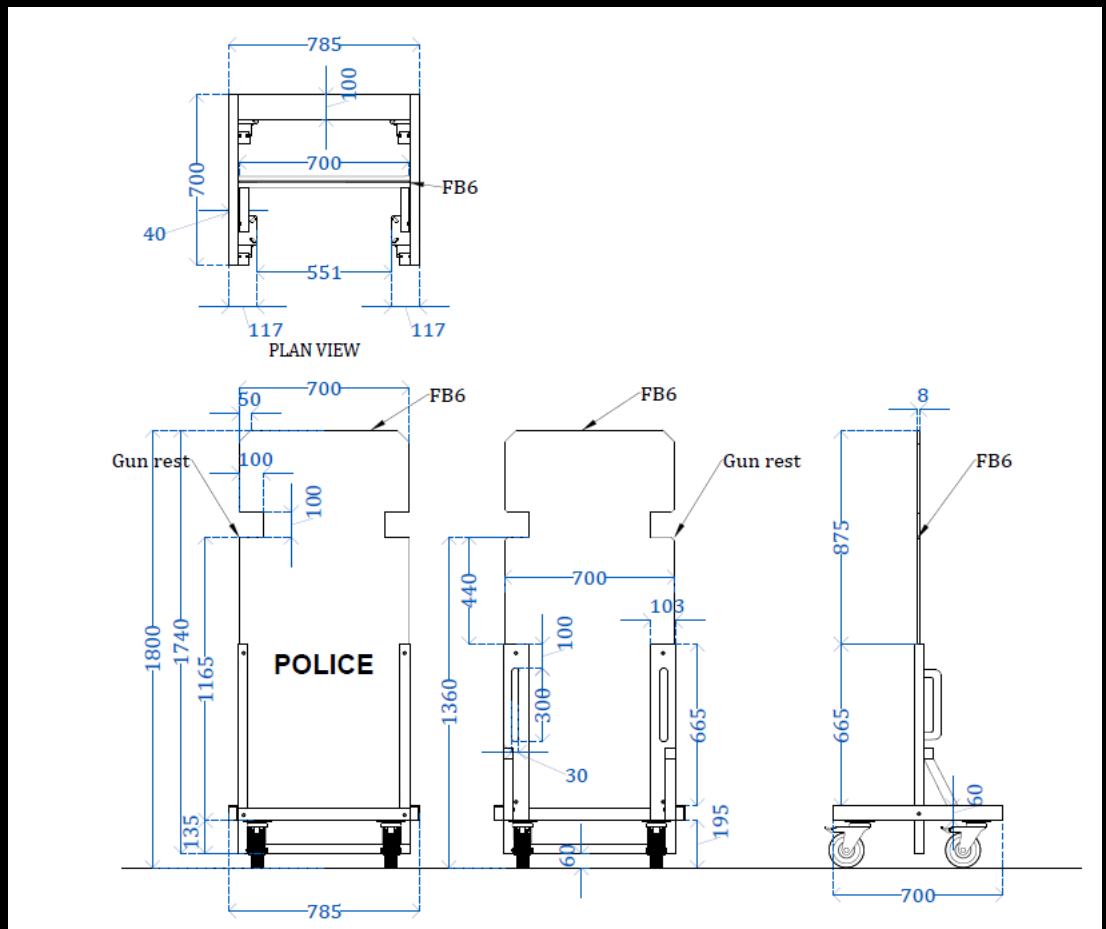


MOBILE SHIELD
FB6 EN1522/EN1523 NIJ 0108.08 LEVEL III



Steel Plate:	FB6 EN1522
Weight:	+/- 100kg
Accessories:	
Glass window: 30cm X 15cm (top of shield)	BR6 EN1063



Contact : contact@bulletproof-constructions.com